

INSTALLATION & SUBMITTAL DATA

extended vent cap gas-fired weatherproof duct furnace/make-up air units models HFG/OFG and HFP/OFPP

IMPORTANT

The use of this manual is specifically intended for a qualified installation and service agency. All installation and service of these units must be performed by a qualified installation and service agency. Modine manuals may contain excerpts from component supplier literature adapted for Modine products. Any accompanying component supplier literature is for general information.

Installation Instructions - Models HFG & OFG

1. Inspect parts of extended vent kit and check dimensions to be sure correct kit is being installed, based on weatherproof duct furnace Model Size (See Table 1.1).
2. Remove the access door of the unit.
3. Remove the standard vent cap (Figure 2.1) from the duct furnace collector box collar by removing four sheet metal mounting screws (if the vent cap has already been installed).
4. Remove the top ① and sides ② from the exhaust plate of the standard vent cap.
5. Replace the #10 x 1/2" sheet metal screws in the exhaust plate.
6. Remove the vent pipe from the standard vent cap by removing the four screws.
7. Mount the restrictor plate mounting angle with two #10 x 1/2" sheet metal screws to the secondary restrictor (See Figure 2.2).
8. Insert the restrictor plate assembly into the bottom of the Extended Vent Pipe. Align the two holes in the restrictor plate mounting angle with the holes in the Extended Vent Pipe that are located 3" from the bottom and attach with two #10 x 1/2" sheet metal screws.
9. Fasten the Extended Vent Pipe to the remaining portion of the standard vent cap. Align the four clearance holes in the Extended Vent Pipe with the bite holes in the standard vent cap collar and fasten with the four #10 x 1/2" sheet metal screws that were removed in Step 6.
10. To mount the modified vent cap assembly on the duct furnace, place vent cap over the square opening on the roof panel and slide the vent cap vent pipe over the collector box collar. The bottom of the vent cap will not be touching the roof (See Figure 2.3).
11. With the vent cap in proper position, align the four clearance holes in the vent pipe with the bite holes in the collector box collar.
12. Using the four #10 x 1/2" sheet metal screws provided in the envelope assembly of the standard vent cap, securely fasten the vent cap to the duct furnace collector box collar.
13. Drill four 1/4" diameter clearance holes in the vent cap (See Figures 2.4 & 2.5) and four 1/8" diameter bite holes in the Extended Vent Pipe. Equally space these holes around the circumference of the vent cap. Using four #10 x 1/2" sheet metal screws, securely fasten the vent cap to the vent pipe.
14. Caulk around the vent cap collar with high temperature RTV caulk (by others).
15. Replace the access door of the unit.

Table 1.1
Vent Cap Dimensions (all dimensions in inches)

Model Size	Vent Cap - Vendor Number			Secondary Restrictor	
	American Metal Products (Fig. 2.4)	Hart & Cooley Inc. (Fig. 2.5)	Normal Vent Size	Low Temp Rise Units Digit 10 - "L"	High Temp Rise Units Digit 10 - "H"
75	8-RC	8-RM	8	7.63 (Dia.)	7.81 (Dia.)
100	8-RC	8-RM	8	7.38 (Dia.)	7.56 (Dia.)
125	8-RC	8-RM	8	7.16 (Dia.)	7.56 (Dia.)
150	8-RC	8-RM	8	6.00 (Dia.)	7.38 (Dia.)
175	8-RC	8-RM	8	5.81 (Sqr.)	7.19 (Dia.)
200	8-RC	8-RM	8	5.00 (Sqr.)	6.00 (Sqr.)
225	8-RC	8-RM	8	4.75 (Sqr.)	5.75 (Sqr.)
250	10-RC	10-RM	10	6.75 (Sqr.)	8.81 (Dia.)
300	10-RC	10-RM	10	6.25 (Sqr.)	7.44 (Sqr.)
350	12-RC	-	12	7.88 (Sqr.)	8.88 (Sqr.)
400	12-RC	-	12	6.25 (Sqr.)	8.38 (Sqr.)

Figure 2.1
Standard Vent Cap

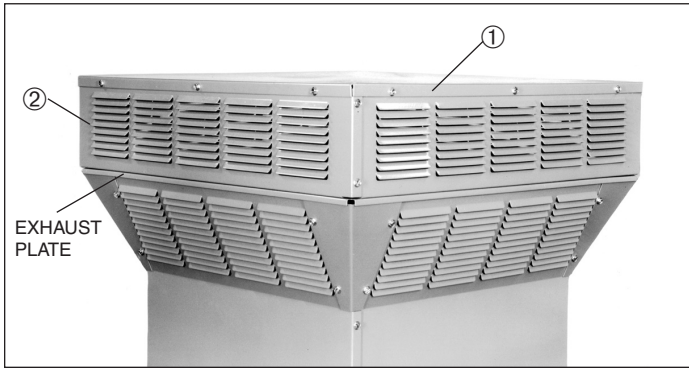


Figure 2.2
Detail of Secondary Restrictor

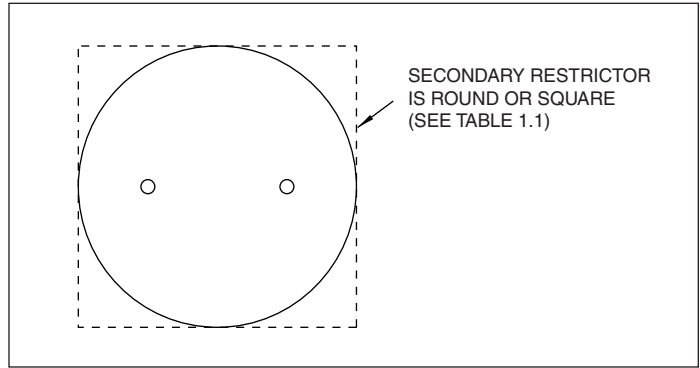


Figure 2.3
Exploded View of Extended Vent Cap Installation - Models HFG & OFG

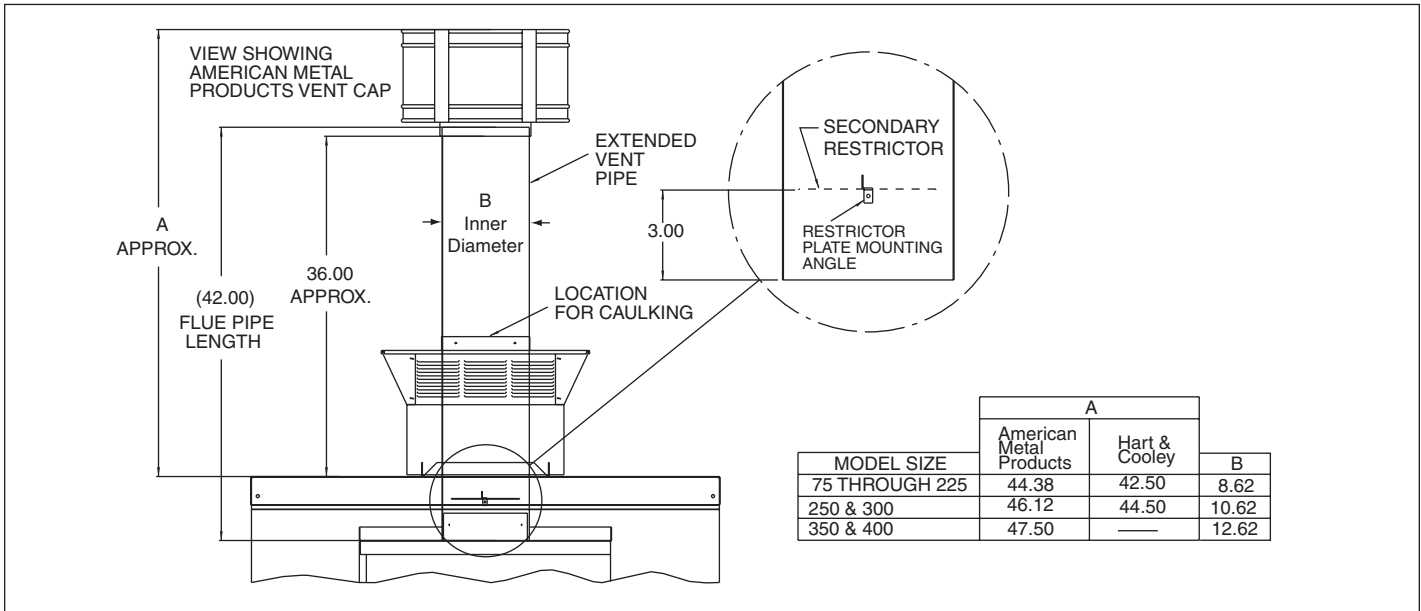


Table 2.1
Vent Cap Dimensions for Figures 2.4 and 2.5 (All dimensions in inches)

Model Size	Vendor Name	Vendor No.	Vent Size	A	B	C	D	E
75 through 225	American Metal Products	8-RC	8.00	12.75	8.25	1.38	8.25	9.00
	Hart & Cooley	8-RM	8.00	15.12	7.00	2.00	7.88	9.00
250 & 300	American Metal Products	10-RC	10.00	15.50	10.50	1.88	10.25	11.00
	Hart & Cooley	10-RM	10.00	19.12	9.00	2.00	9.88	11.00
350 & 400	American Metal Products	12-RC	12.00	18.50	11.62	1.62	12.25	13.00

Figure 2.4
American Metal Products Vent Cap

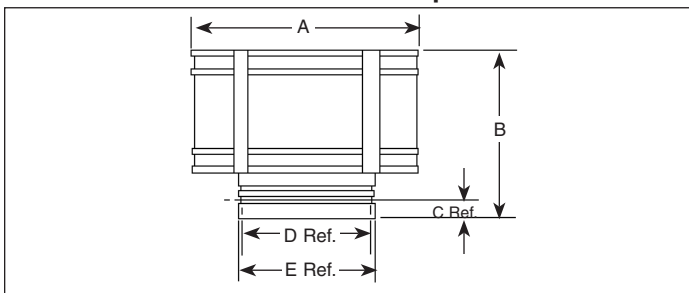
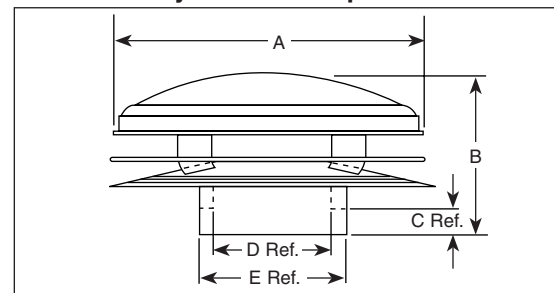


Figure 2.5
Hart & Cooley Inc. Vent Cap



IMPORTANT

The use of this manual is specifically intended for a qualified installation and service agency. All installation and service of these units must be performed by a qualified installation and service agency. Modine manuals may contain excerpts from component supplier literature adapted for Modine products. Any accompanying component supplier literature is for general information.

Installation Instructions - Models HFP & OFP

1. Inspect parts of extended vent kit and check dimensions to be sure correct kit is being installed, based on weatherproof duct furnace Model Size (See Table 3.1).
2. Remove the access door of the unit.
3. Remove the power exhauster discharge cover (See Figure 3.1) from the access door of the unit by removing four sheet metal mounting screws.
4. Mount the exhaust collar (See Figure 3.2) to the access door with the four #10 x 1/42" sheet metal screws provided. Align the vent collar using the two existing side holes in the access door and centering it over the discharge opening. After securing the vent collar using the two existing side mounting holes, use two self-tapping screws for the top and bottom holes.
5. Position the 90° elbow on the exhaust collar in a vertical discharge position (See Figure 4.1). Drill three 1/8" diameter bite holes through the elbow and into the exhaust collar. Equally space the holes around the circumference of the elbow. Using three #10 x 1/42" sheet metal screws, securely fasten the elbow to the exhaust collar.
6. Attach the strap clamp to the access door (See Figure 4.1) with two #10 x 1/42" self-tapping sheet metal screws. The strap clamp should be located on the access door 10" above the centerline of the discharge opening. Once the strap clamp is attached to the door, the clamp should be loosened in order to allow the vent pipe to slide into position.
7. The flue pipe and the vent cap come pre-assembled from the factory. The vent cap plate is attached to the flue pipe with four brackets and the opening "B" is preset based on the model size (See Table 3.1).
8. Slide the flue pipe through the strap clamp opening and over the elbow (See Figure 4.1). Drill three 1/8" diameter bite holes through the vent pipe and into the elbow. Equally space the holes around the circumference of the vent pipe. Using three #10 x 1/42" sheet metal screws, securely fasten the vent pipe to the elbow.
9. Tighten the strap clamp securely to the vent pipe.
10. Caulk the joint around the exhaust collar where it attaches to the access door with high temperature RTV caulk (by others).
11. Replace the access door of the unit.

Table 3.1
HFP & OFP Extended Vent Kit Dimensions
(All dimensions in inches)

Model Size	Vent Pipe Diameter	Vent Cap Opening (Dimension "B" in Figure 4.1)
75 - 175	4"	1.00"
200 - 400	6"	2.25"

Figure 3.1
Power Exhauster Discharge Cover

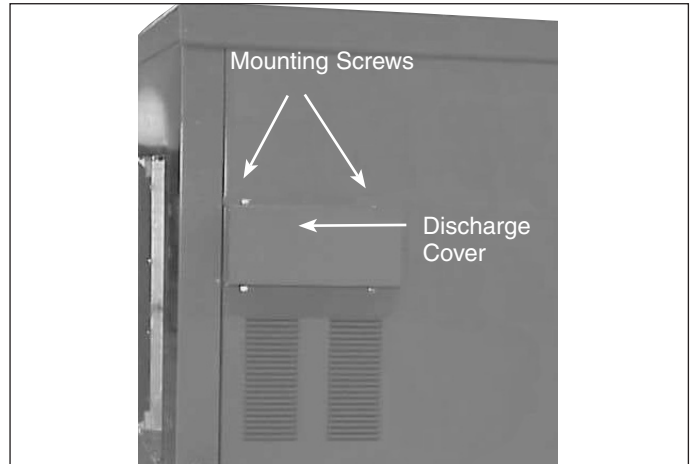


Figure 3.2
Vent Collar Installation (Step 4)

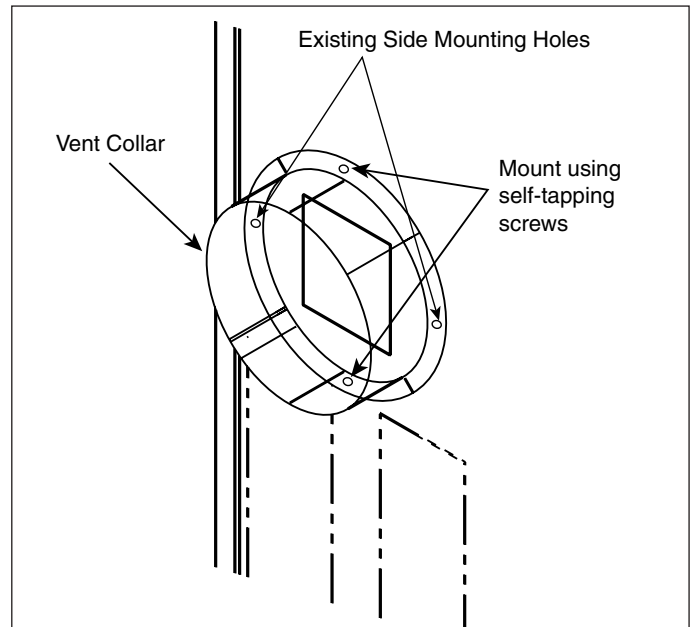


Figure 4.1
View of Extended Vent Cap Installation
Models HFP & OFP

