

two-stage Honeywell thermostat and sub-base wiring for gas unit heaters PD/BD, PDP/BDP, PV/BV and duct furnaces “D”, “H”, “I”, & “O” series

⚠ WARNING

1. Disconnect power supply before making wiring connections to prevent electrical shock and equipment damage.
2. All units must be wired strictly in accordance with wiring diagram furnished with the unit. Any wiring different from the wiring diagram could result in a hazard to persons and property.
3. All wiring must be done with a wiring material having a temperature rating of at least 105°C.

IMPORTANT

The use of this manual is specifically intended for a qualified installation and service agency. A qualified installation and service agency must perform all installation and service of these units. Modine manuals may contain excerpts from component supplier literature adapted for Modine products. Any accompanying component supplier literature is for general information.

Installation and Wiring

Installation of wiring must conform with local building codes, or in the absence of local codes of the National Electric Code ANSI/NFPA 70 - Latest Edition. Unit must be electrically grounded in conformance to this code. In Canada, wiring must comply with CSA C22.1, Part 1, Electrical Code.

For Figures 1.1 and 1.2

Honeywell T874F1015 Thermostat with Q674C1009 Sub-Base
Both items included with Modine #79140
Sub-Base Switching: Fan - auto/on, System - auto/off

Note: Follow thermostat manufacturer's instructions for setting heat anticipators in thermostat. Some additional terminals may be provided on the sub-bases (B, O, Y2), however these terminals are not used.

Figure 1.1
Unit Heaters - PD/BD, PDP/BDP, PV/BV

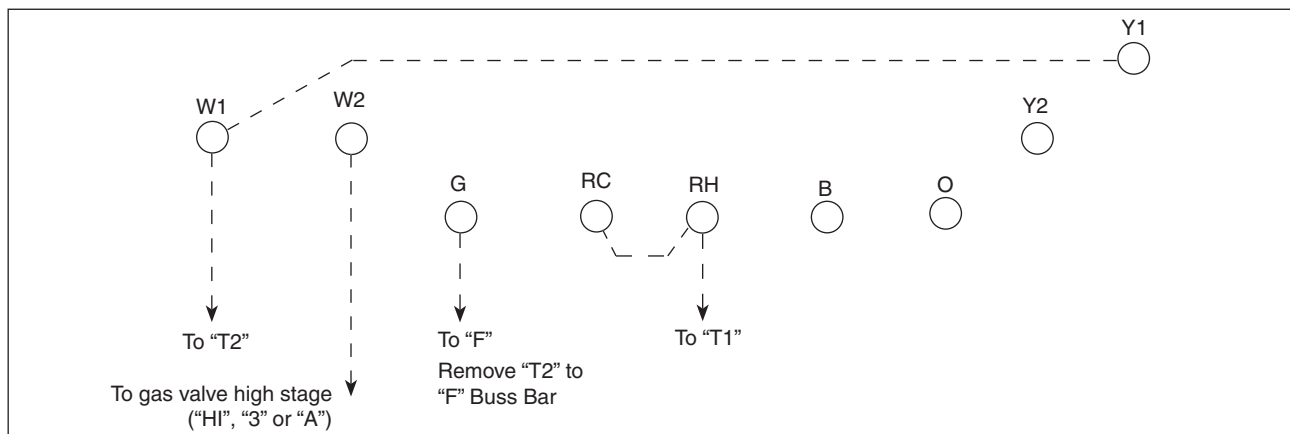
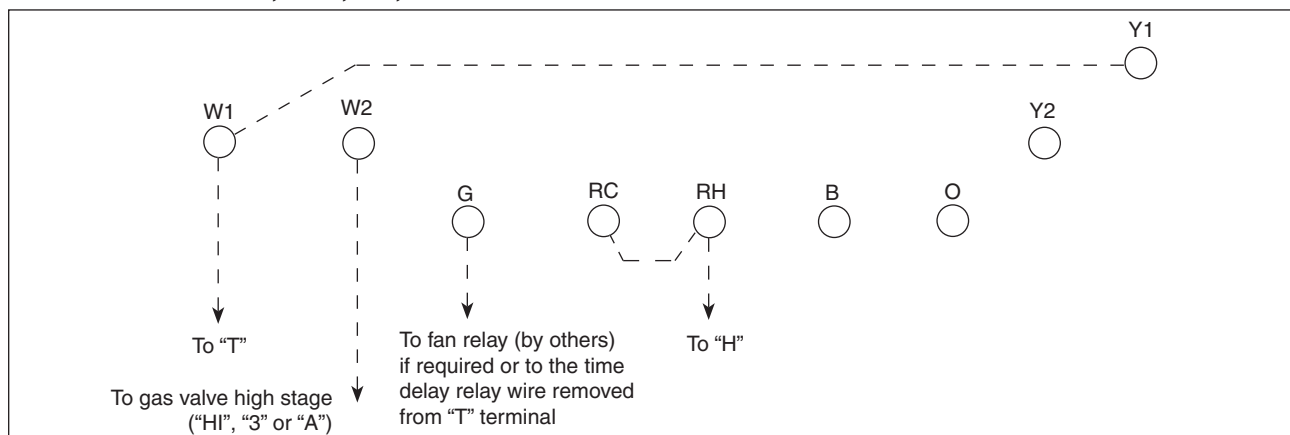


Figure 1.2
Duct Furnaces - DJE, DHE, IJE, and IHE



Installation and Wiring

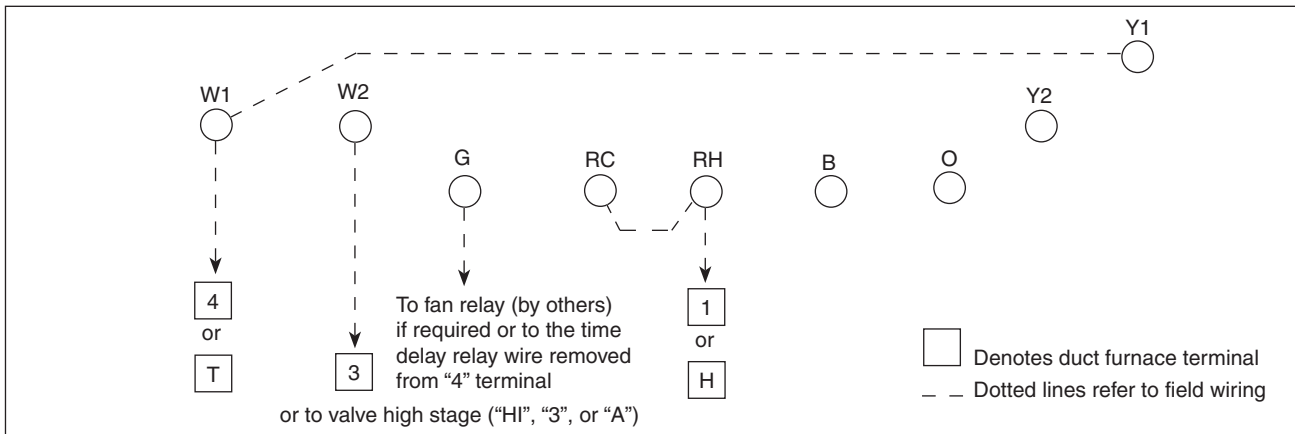
Installation of wiring must conform with local building codes, or in the absence of local codes of the National Electric Code ANSI/NFPA 70 - Latest Edition. Unit must be electrically grounded in conformance to this code. In Canada, wiring must comply with CSA C22.1, Part 1, Electrical Code.

For Figure 2.1

Honeywell T874F1015 Thermostat with Q674C1009 Sub-Base
Both items included with Modine #79140
Sub-Base Switching: Fan - auto/on, System - auto/off

Figure 2.1

Duct Furnaces - DFG, IFG, DFS, IFS, HFG, OFG, HFP, and OFP



Wiring Diagram Selection

- For duct furnaces (non-factory supplied blower): refer to the following figures for wiring
- For all other system units (factory supplied blower): refer to the job specific unit wiring diagram provided with the unit.
- For deviations to these wiring diagrams or the job specific wiring diagrams: consult the factory.

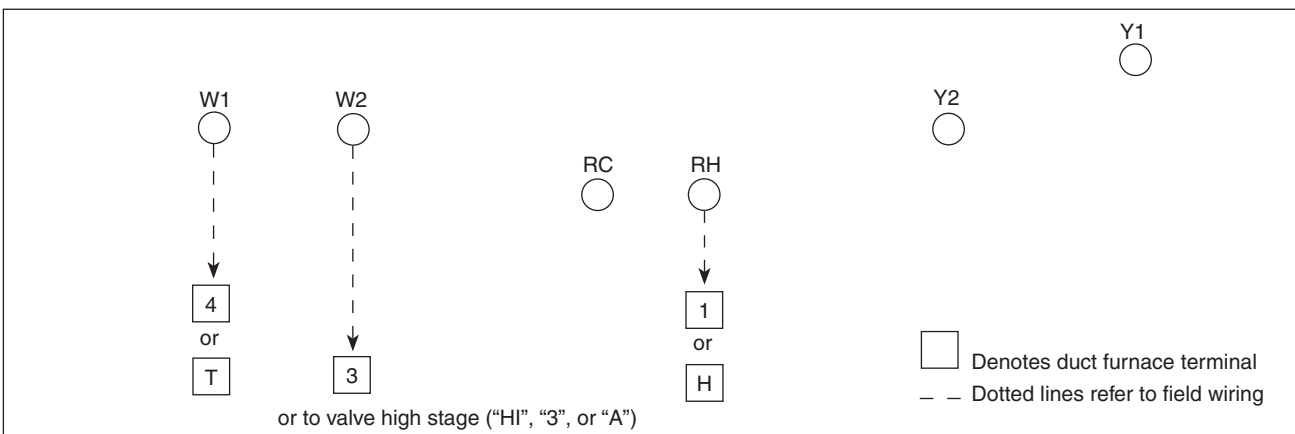
Note: Follow thermostat manufacturer's instructions for setting heat anticipators in thermostat. Some additional terminals may be provided on the sub-bases (B, O, Y2), however these terminals are not used.

For Figure 2.2

Honeywell T874F1015 Thermostat with Q674D1040 Sub-Base
Both items included with Modine #33242
No Sub-Base switching

Figure 2.2

Duct Furnaces - DFG, IFG, DFS, IFS, HFG, OFG, HFP, and OFP



Note: Follow thermostat manufacturer's instructions for setting heat anticipators in thermostat. Some additional terminals may be provided on the sub-bases (B, O, Y2), however these terminals are not used.