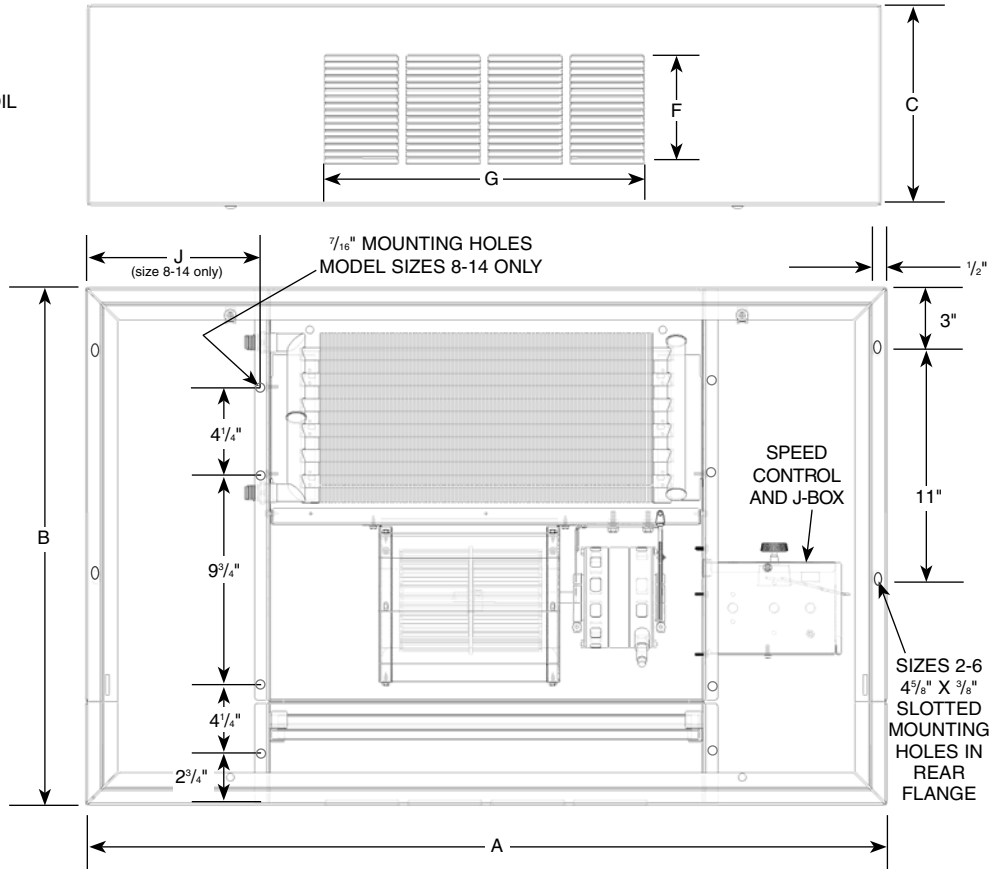
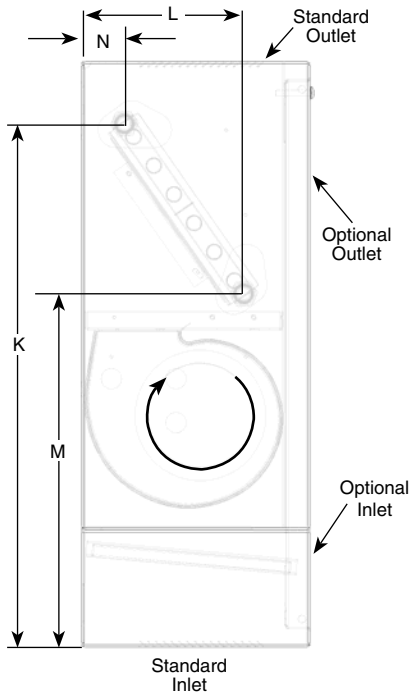




SUBMITTAL DATA

exposed or recessed wall/ceiling mounted steam/hot water cabinet unit heaters model WCC, sizes 2-14

COIL CONNECTIONS
 SIZES 2-6: 3/4" NPT FOR STANDARD COIL
 5/8" I.D. SWEAT FOR TWO ROW COIL
 SIZES 8-14: 1" NPT, ONE OR TWO ROW COIL



NOTE: Left hand piping is standard, right hand piping available when specified.
 Bottoms of end compartments are open for piping and electrical access.

Cabinet Dimensions (inches)

Unit Size	A	B	C	F	G	J	Approx. Shipping Weight lbs.
2	38-3/4	25	9-3/4	5-1/8	15-5/8	-	90
3	43-3/4	25	9-3/4	5-1/8	19-5/8	-	100
4	48-3/4	25	9-3/4	5-1/8	27-5/8	-	120
6	61-3/4	25	9-3/4	5-1/8	39-5/8	-	130
8	71-3/4	28	12	5-1/8	47-5/8	9-3/4	170
10	71-3/4	28	12	5-7/8	47-5/8	9-3/4	175
12	83-3/4	28	12	5-1/8	59-5/8	9-3/4	195
14	83-3/4	28	12	5-7/8	59-5/8	9-3/4	200

Coil Connection Dimensions (inches)

Unit Size	K	L	M	N
2 thru 6	22-1/2	7-3/8	15-1/4	2-3/8
8 thru 14	25-5/8	9-1/4	18	1-5/8

Filter Dimensions (inches) ①

Unit Size	Filter Length	Filter Width	Filter Depth	Filter Height	Filter Weight
2	8-1/2	x	20-3/4	x	1/2
3	8-1/2	x	25-3/4	x	1/2
4	8-1/2	x	30-3/4	x	1/2
6	8-1/2	x	43-3/4	x	1/2
8 & 10	10-3/4	x	49-3/4	x	1/2
12 & 14	10-3/4	x	61-3/4	x	1/2

① Filters are permanent/cleanable.

Motor Ratings (115 volts/60hz/1Ø)

Unit size	Motor qty.	Standard Motor		PSC Motor Option 140		High Static Motor option 141	
		HP	Total Amps	HP	Total Amps	HP	Total Amps
2 + 3	1	1/30	1.7	1/30	0.70	.04	4.60
4 + 6	1	1/20	2.37	1/20	1.05	0.4	4.60
8 + 10	1	1/30	4.07	1/30	1.75	0.8	9.20
	1	1/20		1/20		0.8	9.20
12 + 14	2	1/20	4.74	1/20	2.10	0.8	9.20