

## SUBMITTAL DATA commercial fin tube radiation

### Model PA Architectural Pedestal Style

Job name & location \_\_\_\_\_

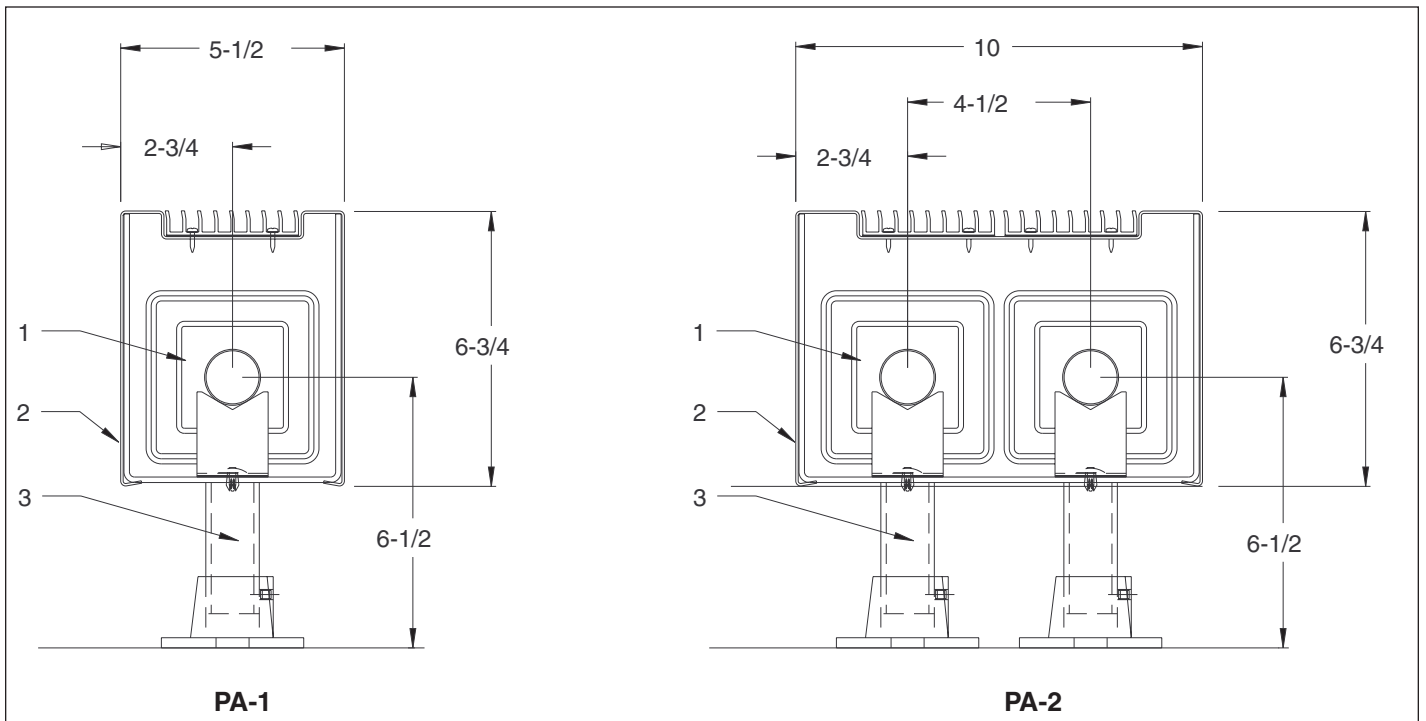
Architect \_\_\_\_\_ Engineer \_\_\_\_\_

Contractor \_\_\_\_\_ Order No. \_\_\_\_\_

Submitted by \_\_\_\_\_

Date \_\_\_\_\_

Sheet \_\_\_\_\_ of \_\_\_\_\_



- 1 - Heating Element
- 2 - Enclosure
- 3 - Hanger Strip

- 4 - Enclosure Wall Support (EWS)
- 5 - Element Support Assembly (ESA)
- 6 - Return Pipe Hanger

### Enclosure Specifications

Lengths: 2' to 8' in 6" increments

Model:  PA-1     PA-2

Gauge:  16 ga.     14 ga.

Standard Baked Enamel Finish:  TR-13 Tan

Optional Baked Enamel Finish:

Per AIR75-402 \_\_\_\_\_

Per AIR75-400 \_\_\_\_\_

### Heating Element Specifications

Seamless copper tube diameter:

3/4"     1"     1-1/4"

Aluminum fin size:

4-1/4" x 4-1/4"     2-3/4" x 4-1/4"

Aluminum fins/ft:

34     42     50

### Performance

Average water temperature \_\_\_\_\_ °F

Water flow rate: \_\_\_\_\_ GPM, \_\_\_\_\_ Ft/sec.

Steam Pressure: \_\_\_\_\_ psi

Entering Air Temperature: \_\_\_\_\_ °F

Rating: \_\_\_\_\_ Btu/hr/ft

# AIR12-428.1

## Model PA Architectural Pedestal Style Pedestal Supports

Includes floor flange

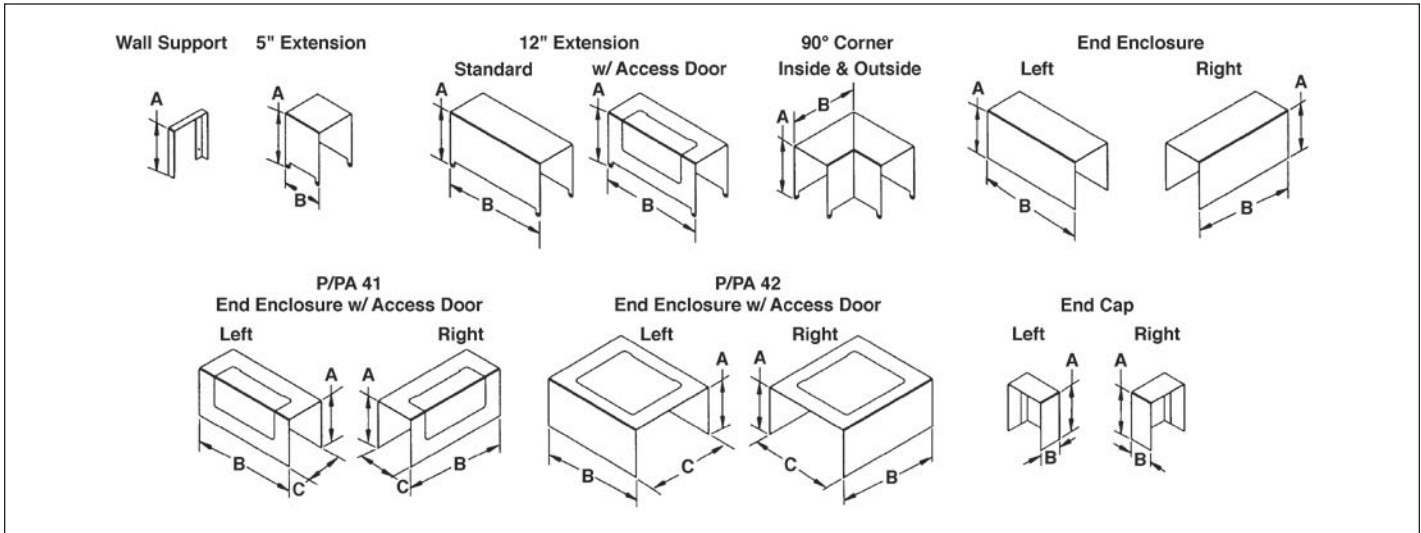
	3/4" & 1" tube	1-1/4" tube
1 row	<input type="checkbox"/> PED-175	<input type="checkbox"/> PED-112
2 row	<input type="checkbox"/> PED-275	<input type="checkbox"/> PED-212

Recommended: **at least** two pedestals for each enclosure section.

### Accessories - 20 gauge

- |   |  |   |   |
|---|--|---|---|
| <input type="checkbox"/> 1 row  | <input type="checkbox"/> 2 row                           | <input type="checkbox"/> Wall support - left              | <input type="checkbox"/> 12" Wide end enclosure - left (S)                |
| <input type="checkbox"/> Wall support - right                           | <input type="checkbox"/> 5" Wide enclosure extension (O) | <input type="checkbox"/> 12" Wide enclosure extension (O) | <input type="checkbox"/> 12" Wide end enclosure - right (S)               |
| <input type="checkbox"/> 12" Wide enclosure extension w/access door (O) | <input type="checkbox"/> 90° Inside corner (O)           | <input type="checkbox"/> 90° Outside corner (O)           | <input type="checkbox"/> 12" Wide end enclosure w/access door - left (S)  |
|   |  |   | <input type="checkbox"/> 12" Wide end enclosure w/access door - right (S) |
|   |  |   | <input type="checkbox"/> End cap - left (S)                               |
|   |  |   | <input type="checkbox"/> End cap - right (S)                              |

(O) overlapping fit (S) slip joint fit to enclosure



### Accessory Dimensions

Enclosure	12" Extension					End Enclosure		End Enclosure w/ Access Door	End Cap	
	Dim.	Wall Support	5" Extension	Std. & w/Acc. Door	90° Corner	Left	Right	PA 41	Left	Right
PA 1 row	A	6.75	6.75	6.75	6.75	6.75	6.75	6.75	6.75	6.75
	B		5	12	9.28	12	12	12	2.25	2.25
	C							5.5		

Enclosure	12" Extension					End Enclosure		End Enclosure w/ Access Door	End Cap	
	Dim.	Wall Support	5" Extension	Std. & w/Acc. Door	90° Corner	Left	Right	PA 42	Left	Right
PA 2 row	A	6.75	6.75	6.75	6.75	6.75	6.75	6.75	6.75	6.75
	B		5	12	13.78	12	12	12	2.25	2.25
	C							10		